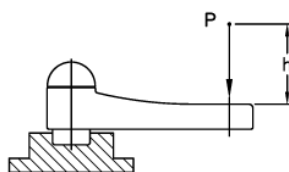
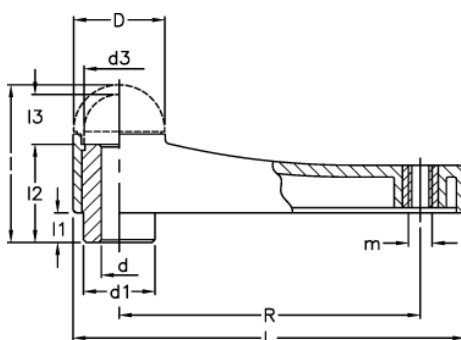
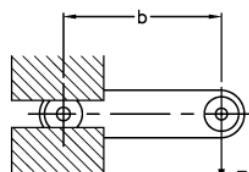


Article number: 2305002102410  
 Description: E+G Crank handle  
 EKH.100-A12-SI-C0, no cap

## Measures



$$L[J] = P[N] \cdot h[m]$$



$$C[N \cdot m] = F[N] \cdot b[m]$$

C (N m)	= 200	l1	= 10
d	= 30.5	l2	= 33
d1	= 24	l3	= 17
d3	= 23.5	m	= M8
d H7	= 12	R	= 101
l	= 52.5		
L	= 131.5		
L (J)	= 27		